

**Model: FP 80**  
**RCI Technologies**  
**Universal Fuel Purifier**

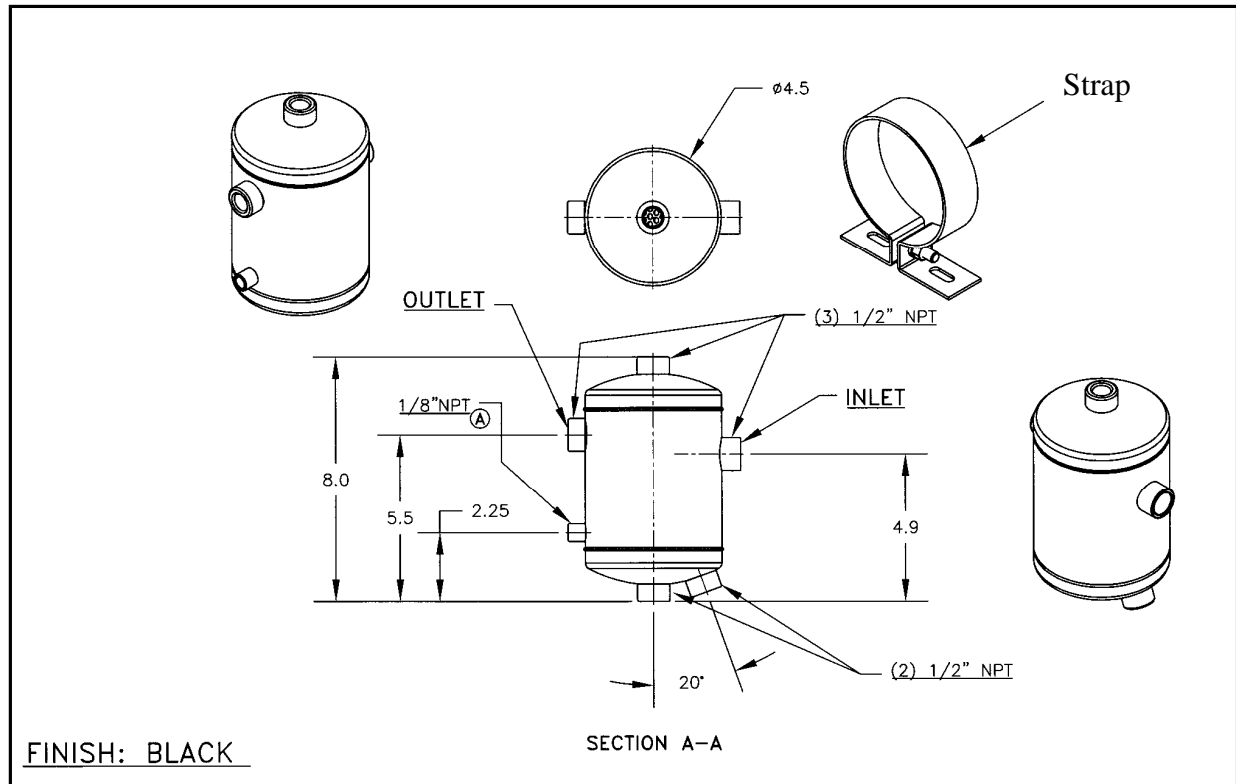
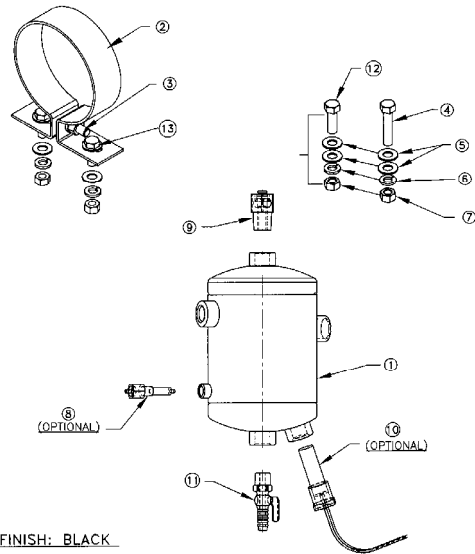
Nominal Flow: ..... 1 gal/min (3.80 lts/min)  
 In & Out Couplings: ..... 1/2" NPT  
 Top Port: ..... 1/2" NPT  
 Sensor Port \*: ..... 1/8" NPT  
 Drain Valve: ..... Comm/Brass 1/2" Valve  
 Height: ..... 8.0" Strap mount  
 Width: ..... 4.5" (114.3 mm)  
 Gross Weight: ..... 6 lbs.

\*Water Sensor and Heater are optional items.



APPLICATIONS

Small Diesel Engines



FINISH: BLACK

ITEM	PARTS NO	DESCRIPTION	QTY
1	FP 80	FUEL PURIFIER	1
2	RC-002	BRACKET	2
3	RC-150	BOLT ASSY.	2
4	RC-151	BOLT 3/8 - 16 x 1.5" L.	2
5	RC-014	FLAT WASHER (SAE)	12
6	RC-015	LOCK WASHER	6
7	RC-107	NUT 3/8 - 16	6
8	RC-SEN-K	RCI WATER SEN. KIT (OPTIONAL)	1
9	RC-APV	AIR PURGE VALVE	1
10	RC-HET	HEATER - 72 W 12-24 V (OPTIONAL)	1
11	RC-DVC	DRAIN VALVE COCK	1
12	RC-161	BOLT 3/8 - 16 x 1.0" L.	4
13	RC-149	BOLT ASSY.	4

										NAME		DR. RLT	
										FUEL/WATER SEPARATOR		CK. KS	
										RCI		SCALE .25"=1"	
												MATERIAL REF:	
										8535 A		MOVED 1/8 NPT	
										8758		RELEASED	
										TRANS. NO.		CHG. LET.	
										WAS		DATE	
										BY		APP.	
										RT		KJM	
										RT		KS	
										RCI TECHNOLOGIES		SIZE A	
										SAN DIMAS, CALIFORNIA, U.S.A.		PART NO. FP80	
TRANS. NO.	CHG. LET.	WAS	DATE	BY	APP.	TRANS. NO.	CHG. LET.	WAS	DATE	BY	APP.	SIZE	PART NO.